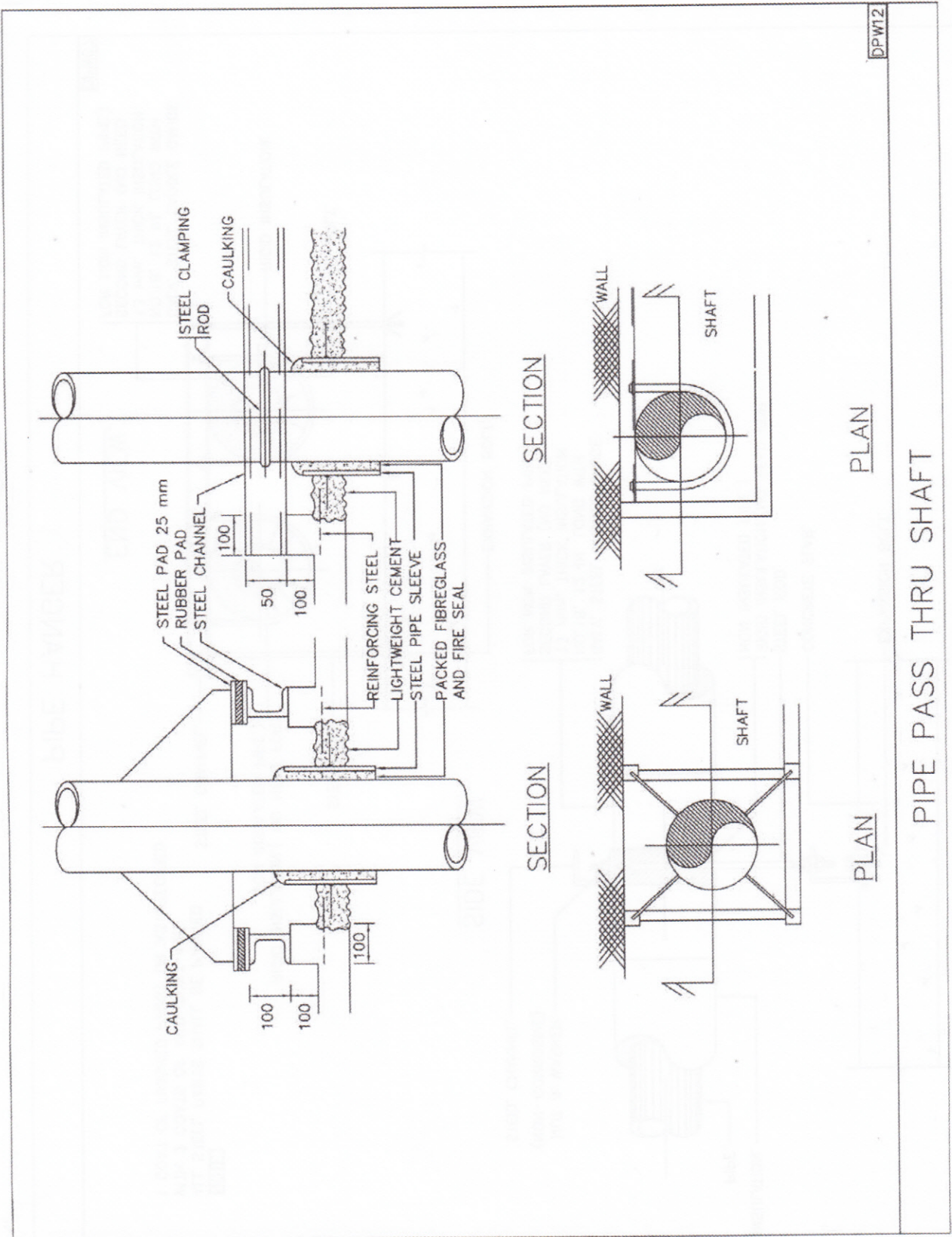
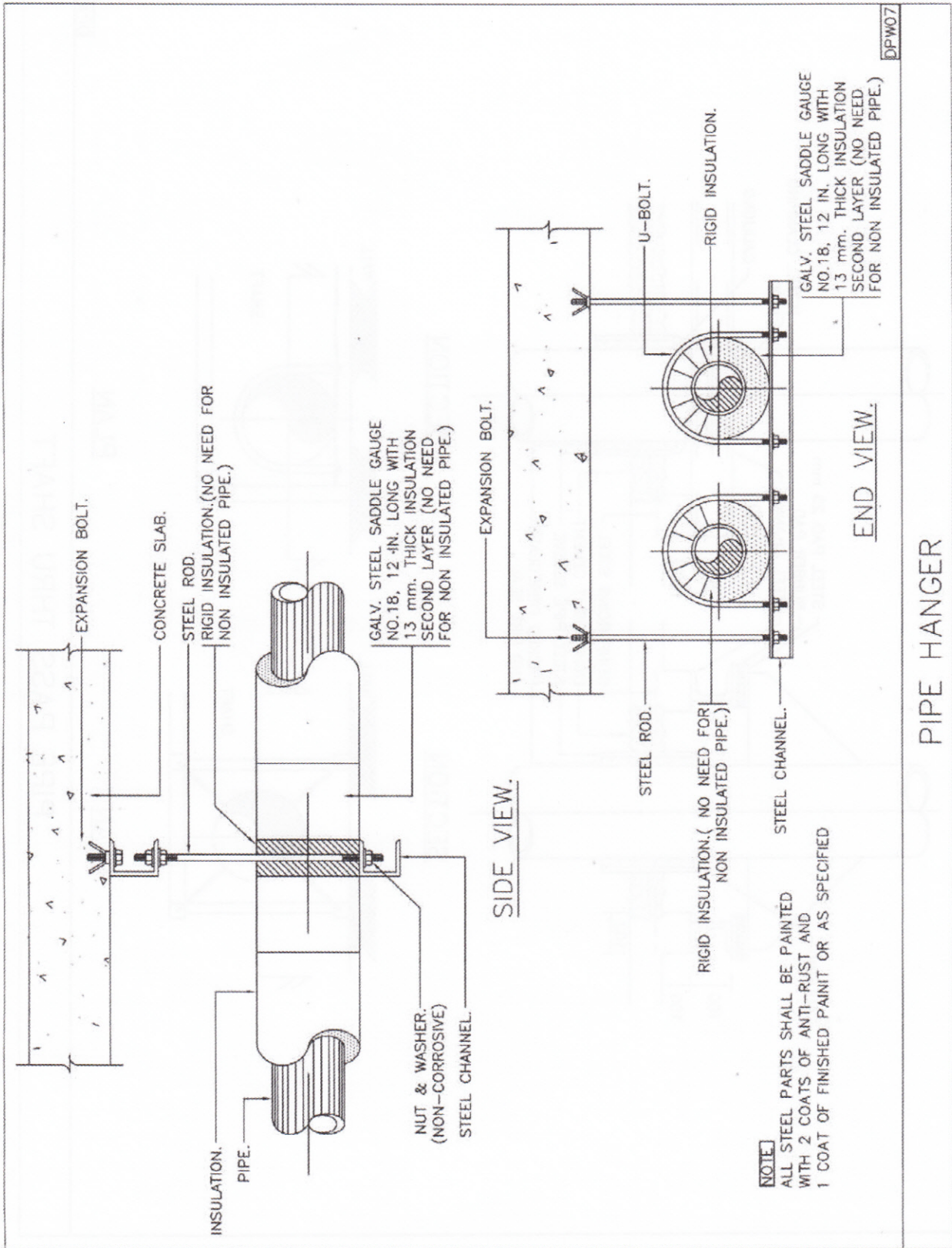


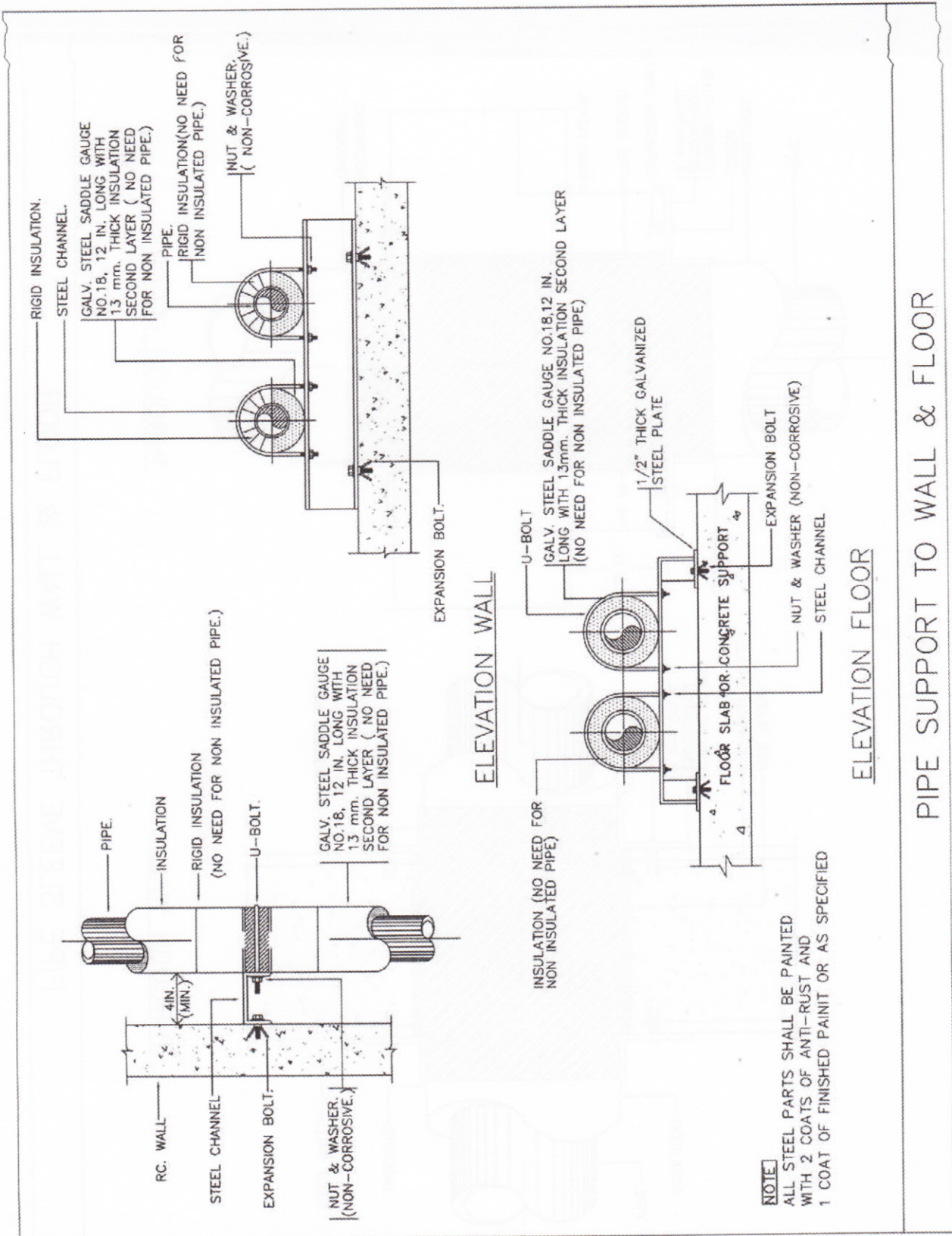
REFRIGERANT PIPE THRU ROOF

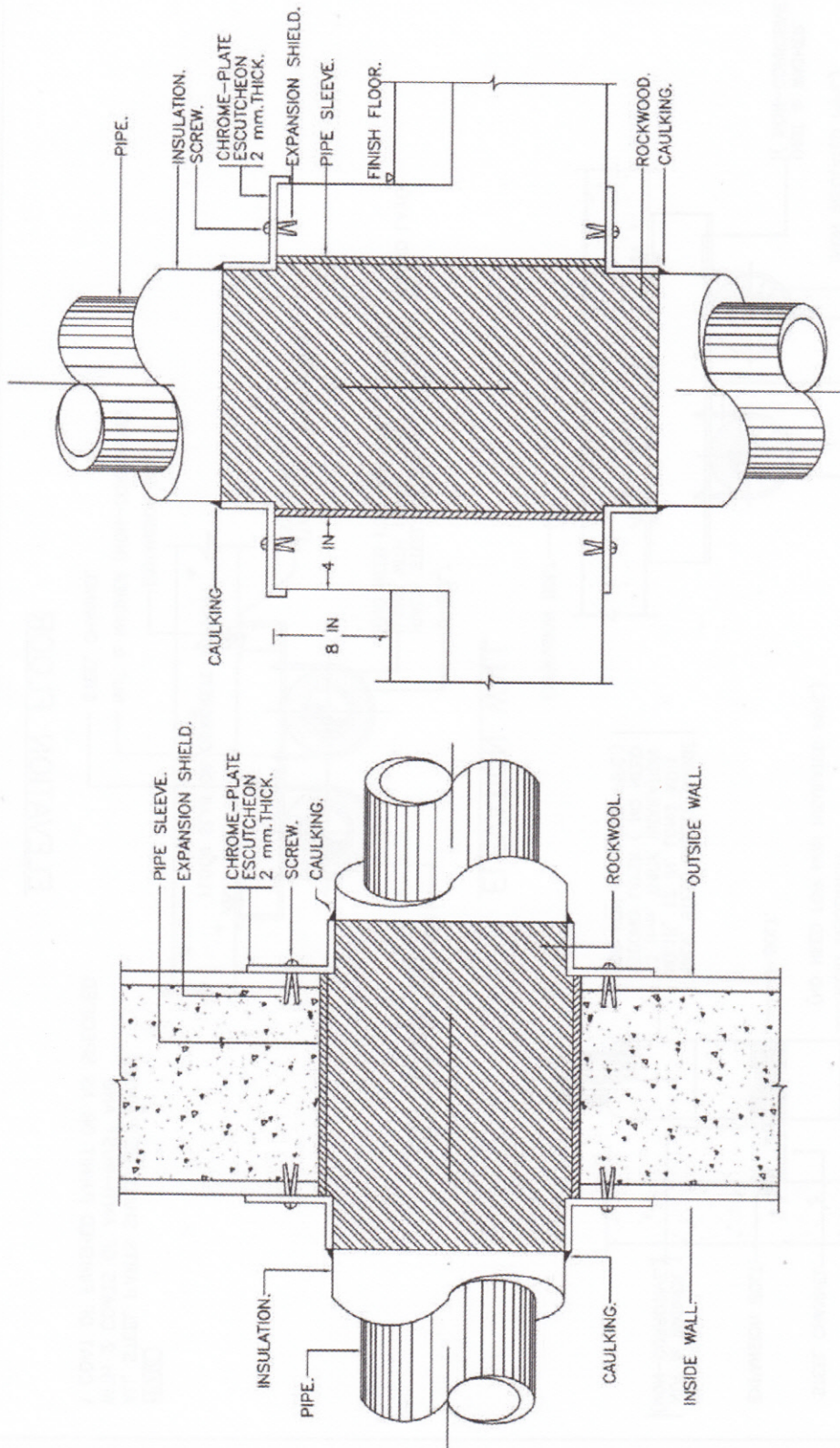


PIPE PASS THRU SHAFT



PIPE HANGER

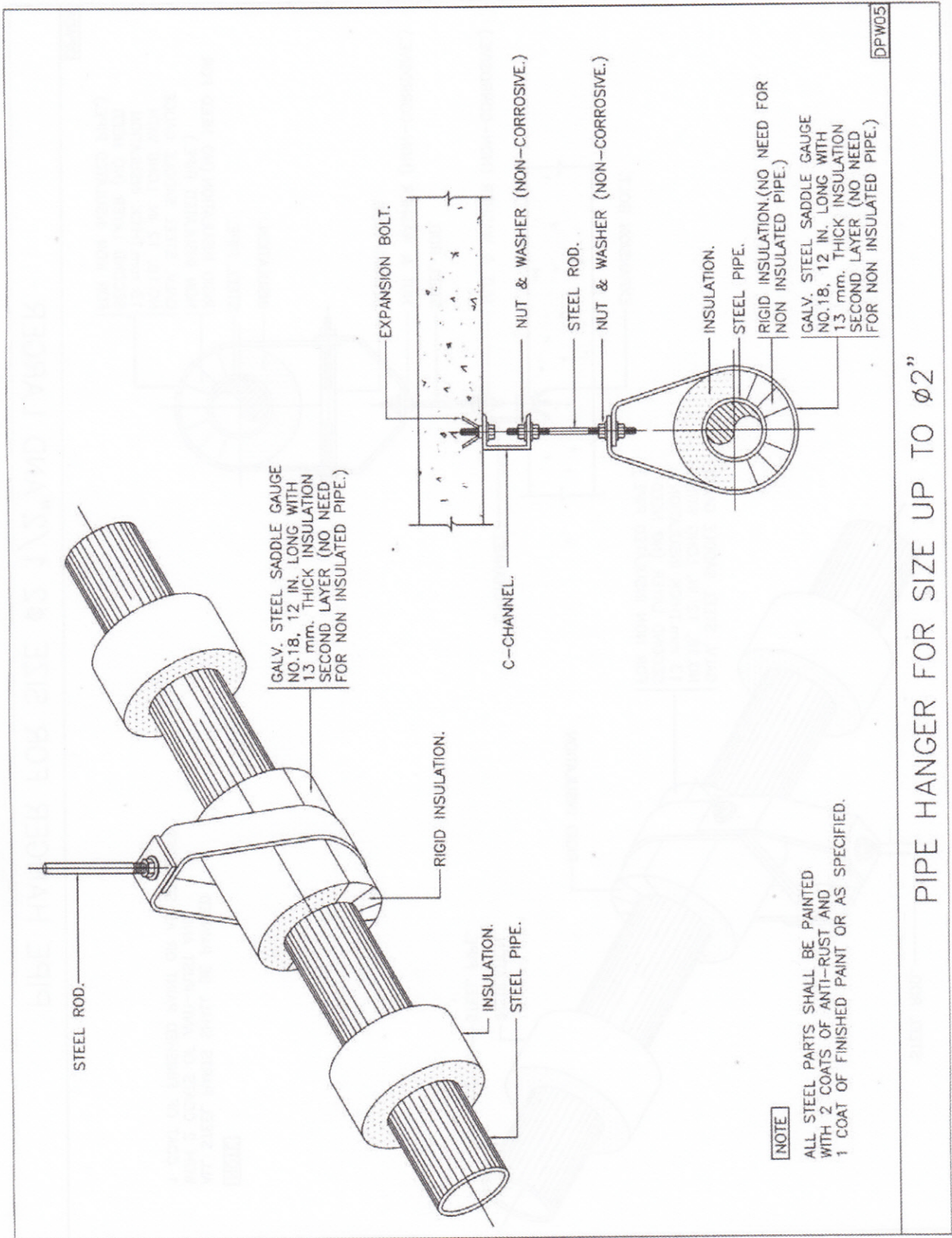




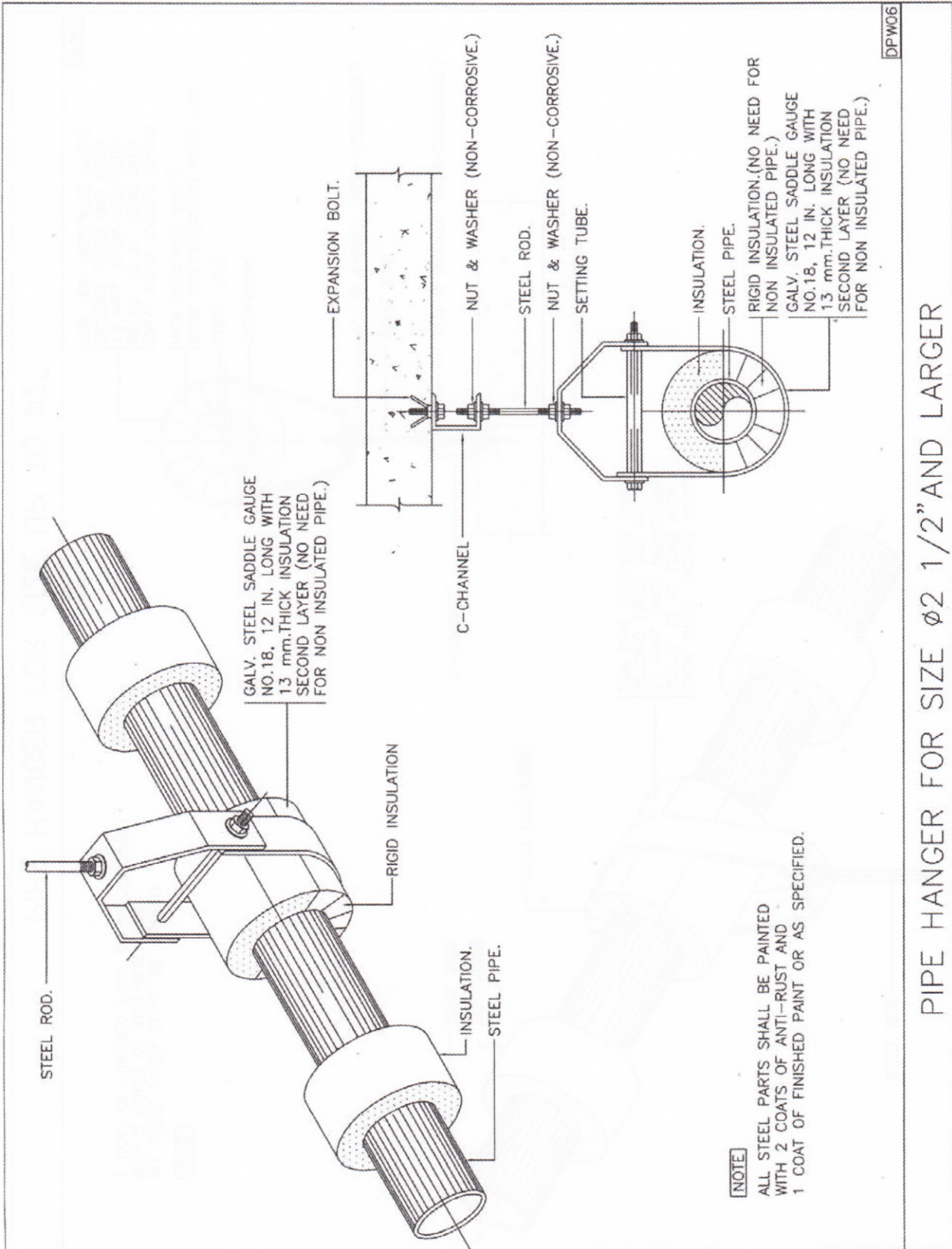
THROUGH FLOOR

THROUGH WALL

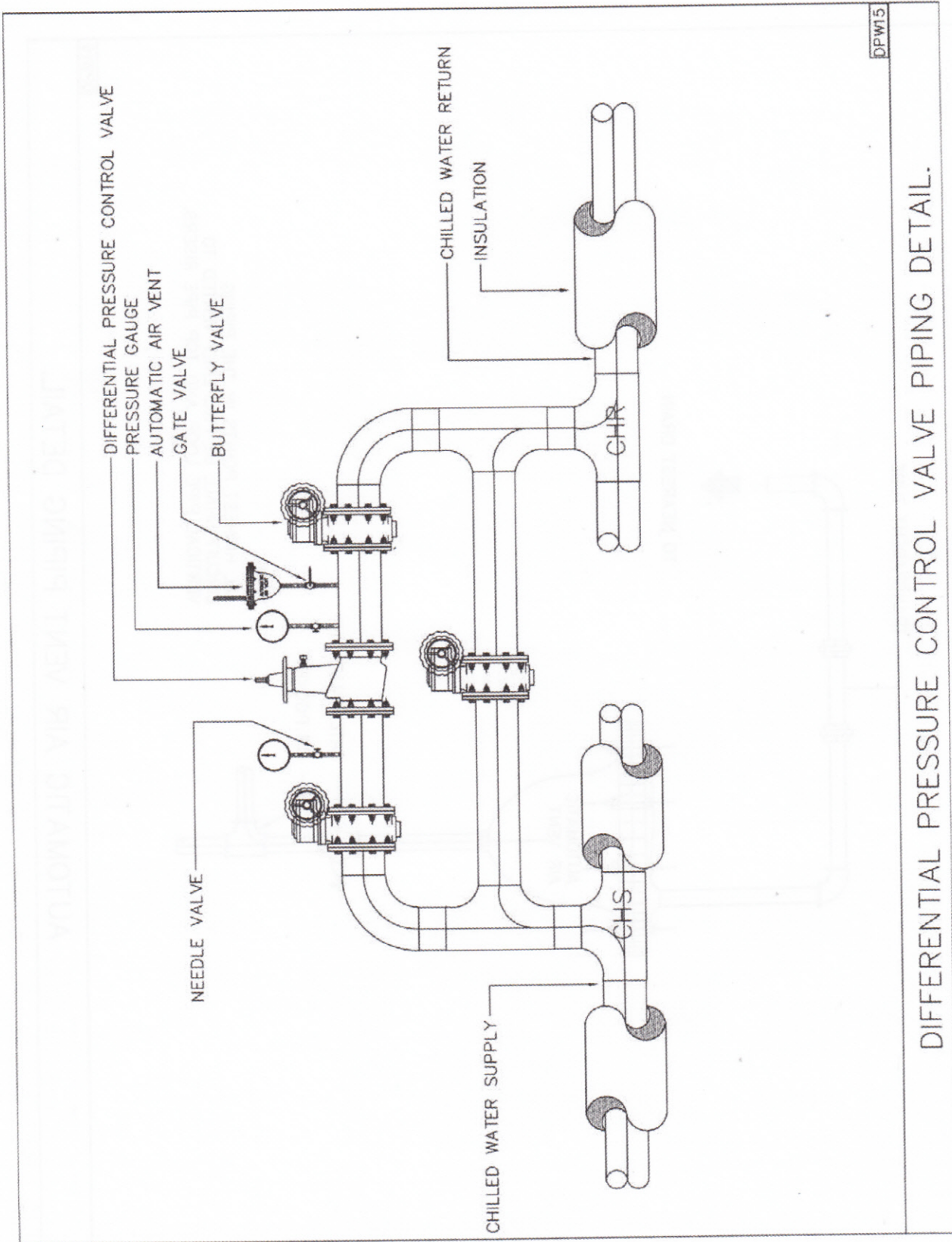
PIPE SLEEVE THROUGH WALL & FLOOR



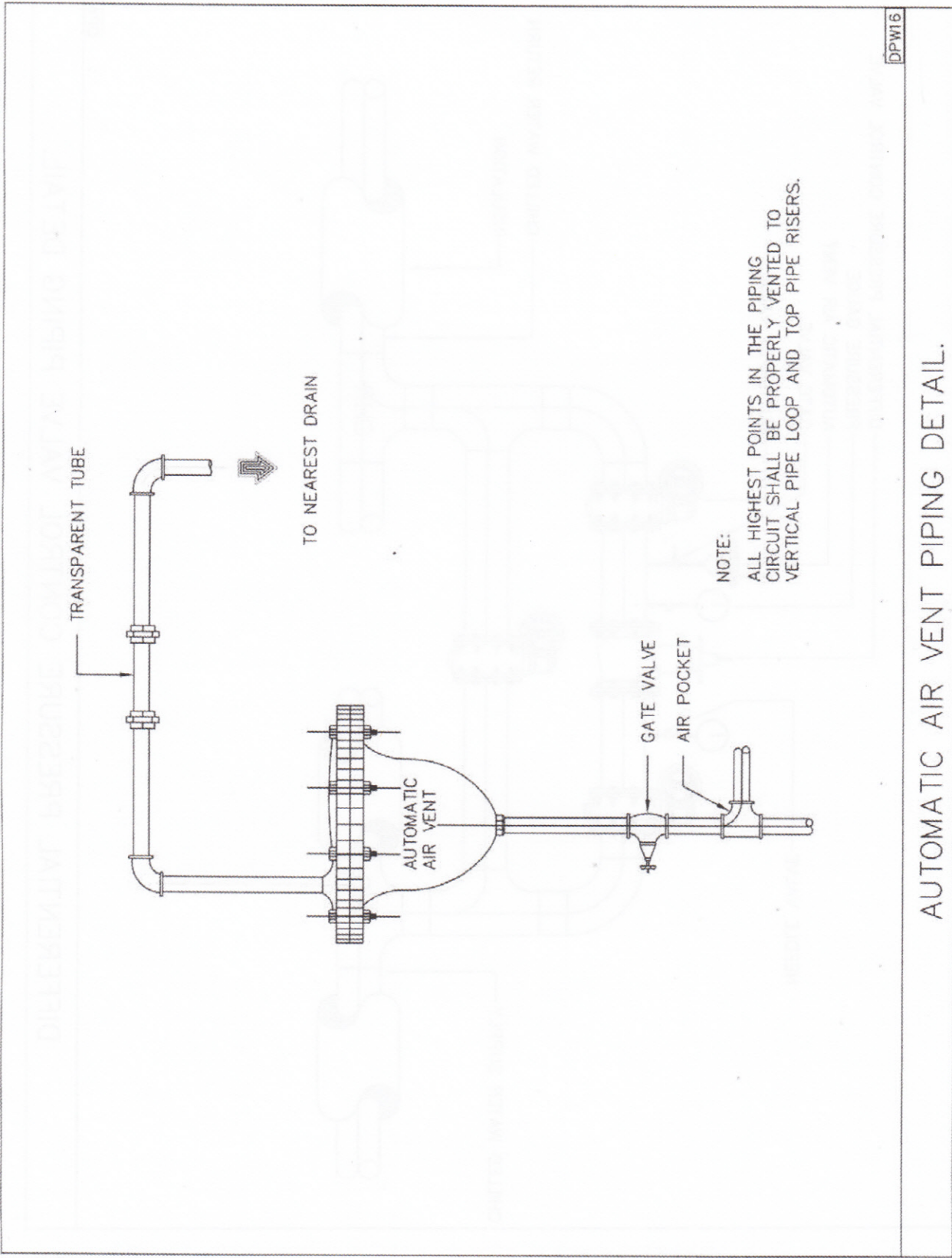
PIPE HANGER FOR SIZE UP TO $\phi 2$ "



PIPE HANGER FOR SIZE $\phi 2 \frac{1}{2}$ " AND LARGER



DIFFERENTIAL PRESSURE CONTROL VALVE PIPING DETAIL.



AUTOMATIC AIR VENT PIPING DETAIL.