

## FLOOR LOAD

DESCRIPTION	LOAD/sq.m.
AHU/FAN	300 KG.
PUMP WATER	500 KG.
PUMP MADICAL	500 KG.
CHILLER PLANT	1,500 KG.
BOILER ROOM	2,000 KG.
HOT WATER GENERATOR	2,000 KG.
COOLING TOWER	2,500 KG.

## BOILER ROOM

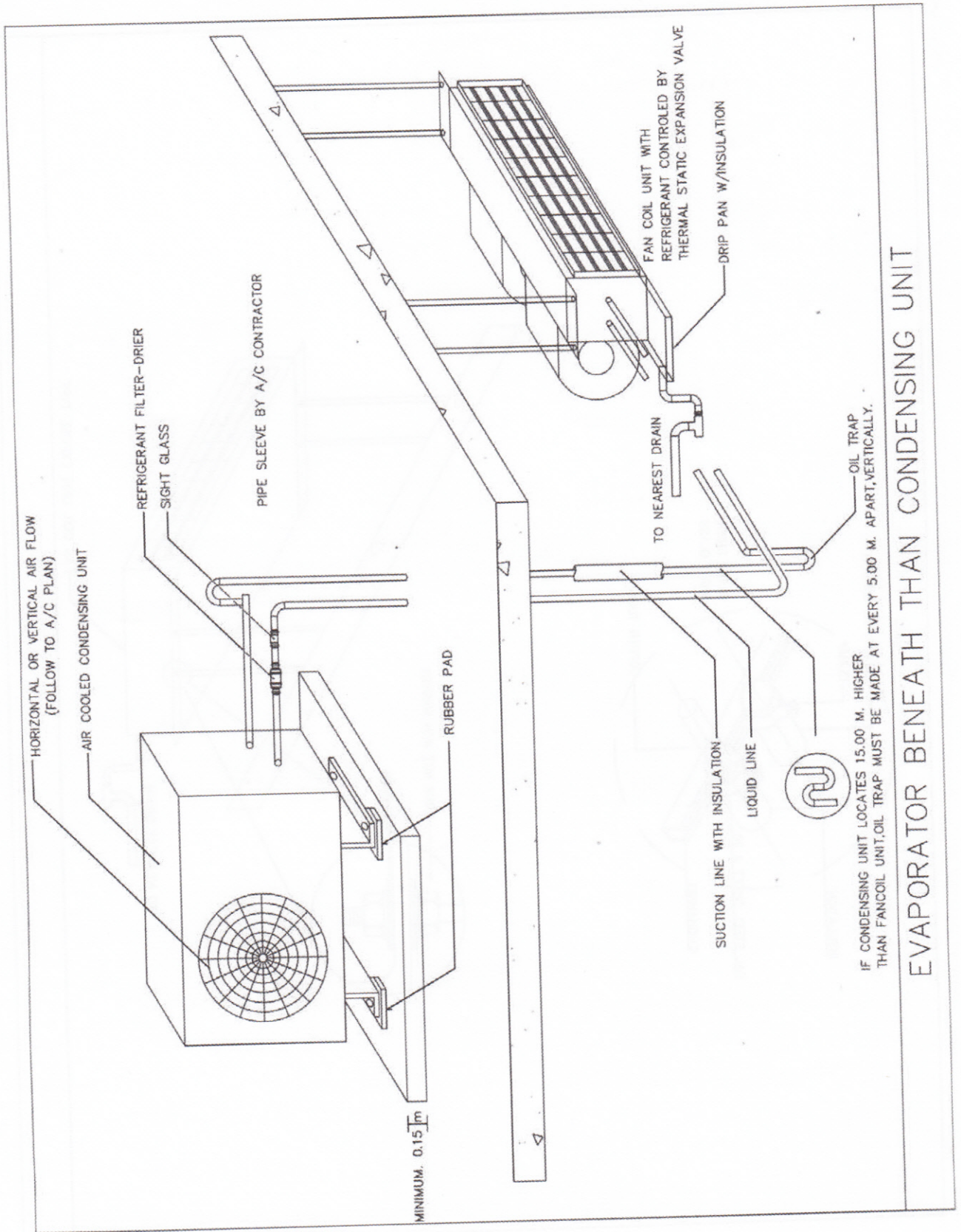
CAPACITY	ROOM SIZE
2x100 BHP.	150 sq.m.
2x200 BHP.	200 sq.m.

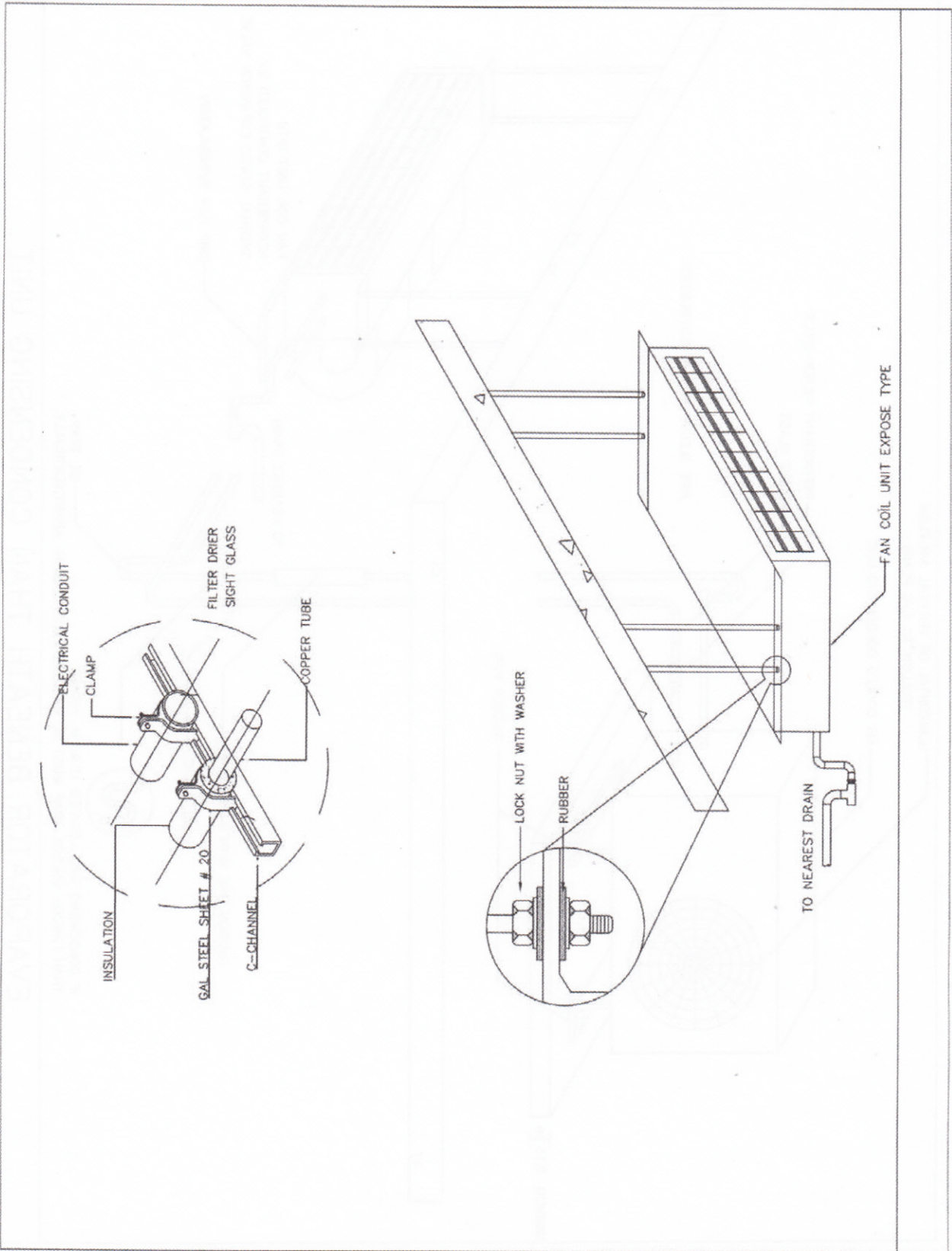
## CHILLER &amp; COOLING TOWER PLANT

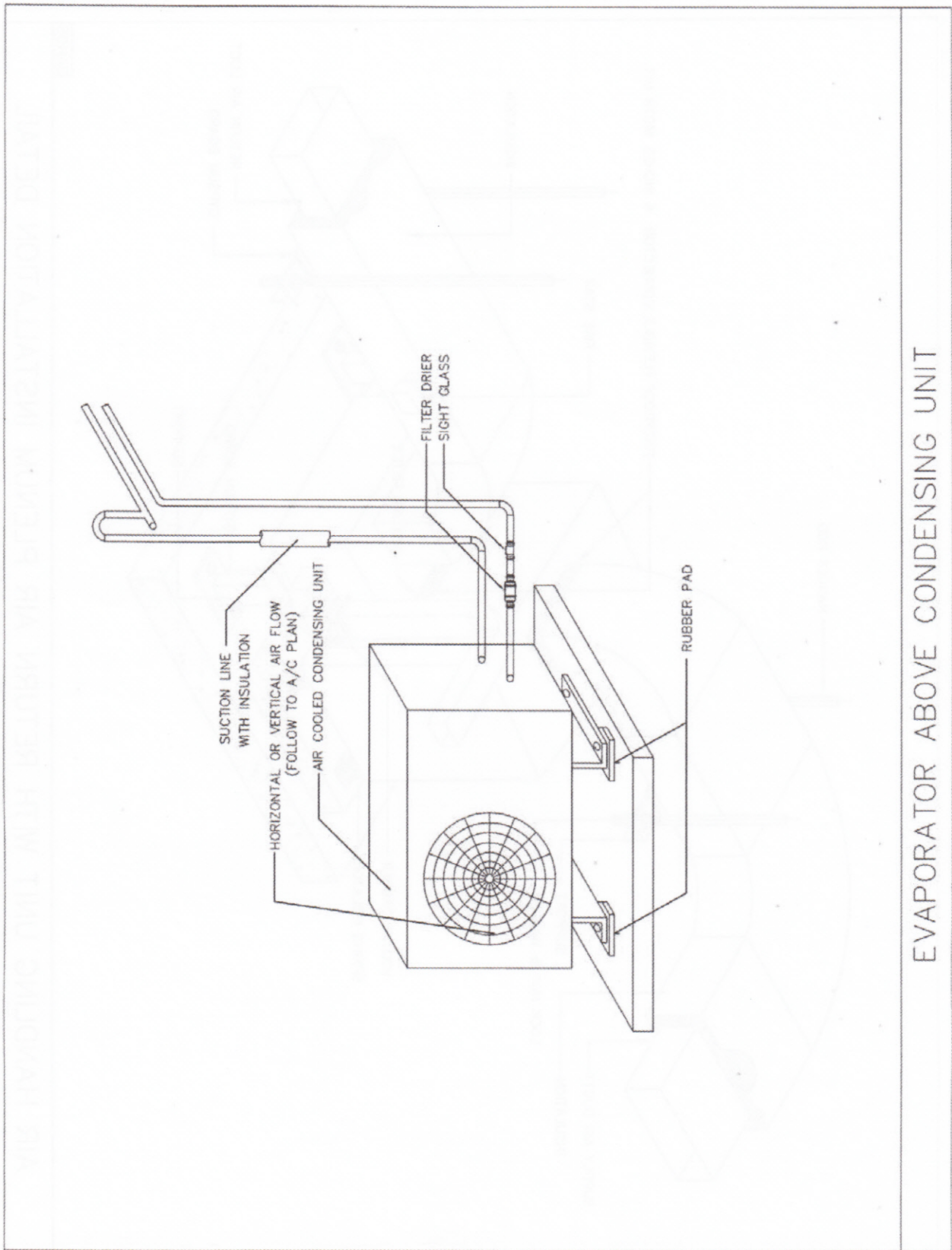
COOLING CAPACITY	CHILLER PLANT	COOLING TOWER PLANT	
		COUNTER FLOW	CROSS FLOW
750 +	250 sq.m.	12x20 m.	12x15 m.
1000 +	300 sq.m.	12x25 m.	14x16 m.
2000 +	400 sq.m.	12x40 m.	14x25 m.
3000 +	500 sq.m.	15x45 m.	14x35 m.
4000 +	600 sq.m.	15x55 m.	14x45 m.

## CEILING SPACE FOR AIR DUCT

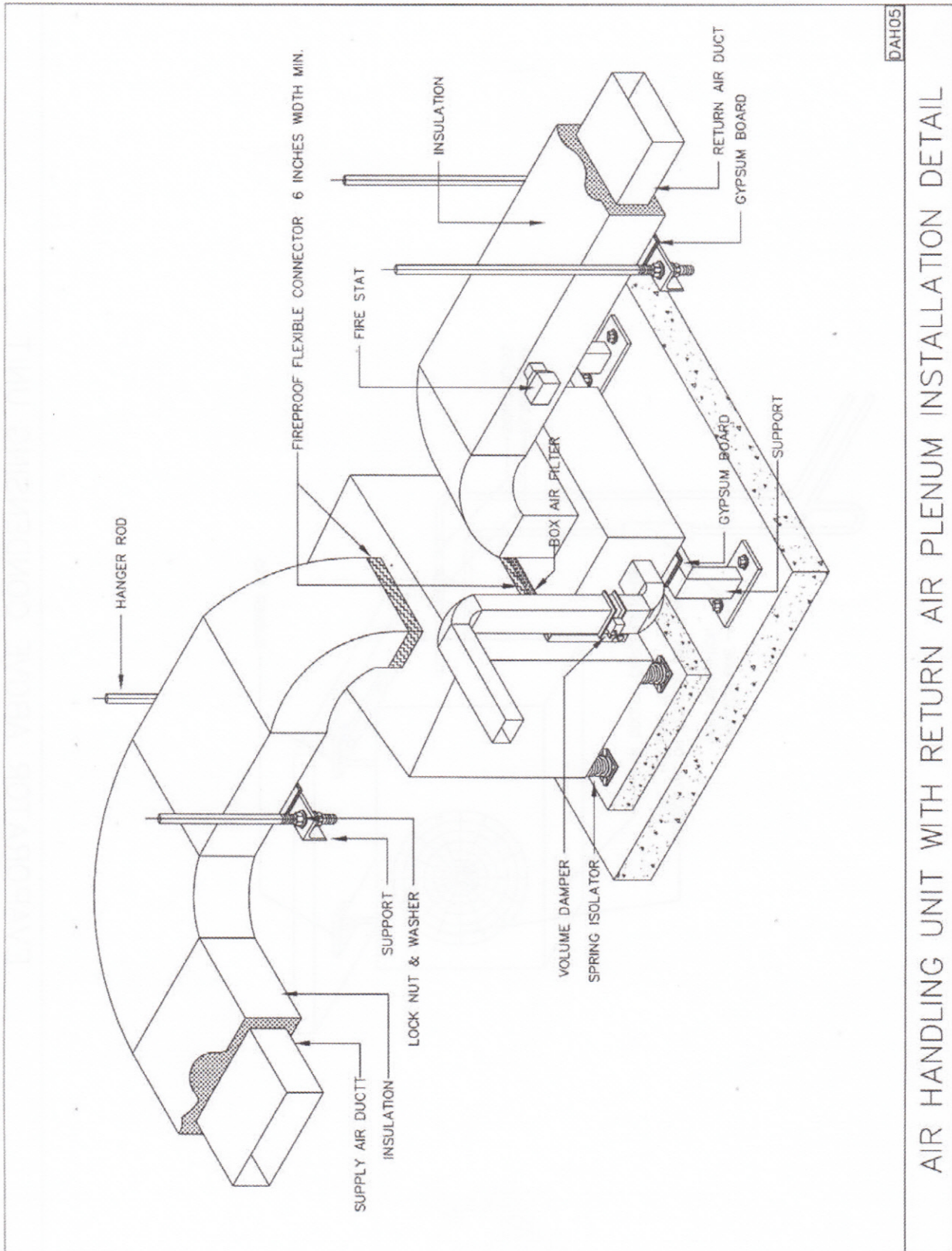
AHU CAPACITY (TON)	MIN SPACE (mm)
10	400
20	500
30	600 - 700
40	700 - 800
MORE THAN 40	800 - 1200
RETURN AIR DUCT	700 - 1200





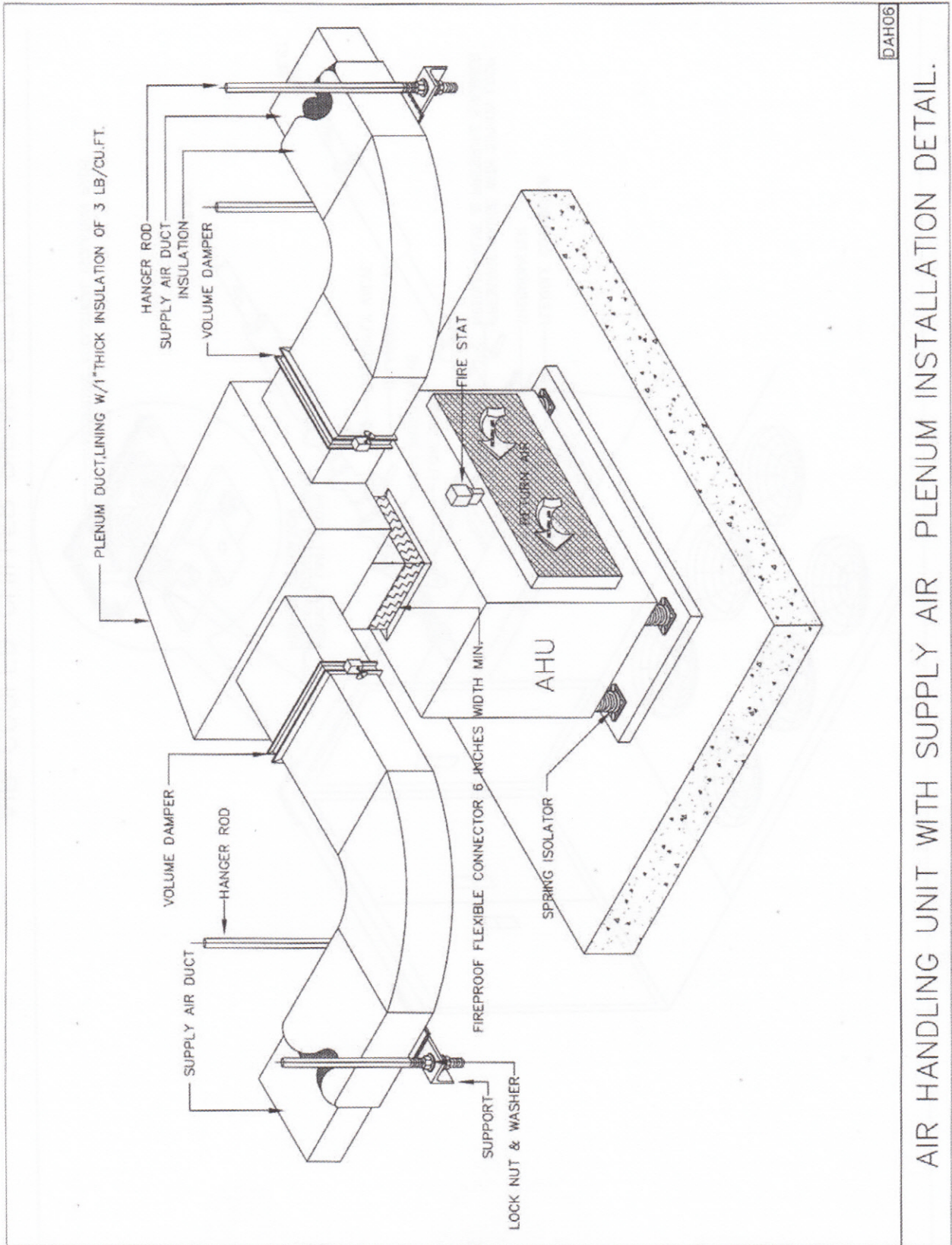


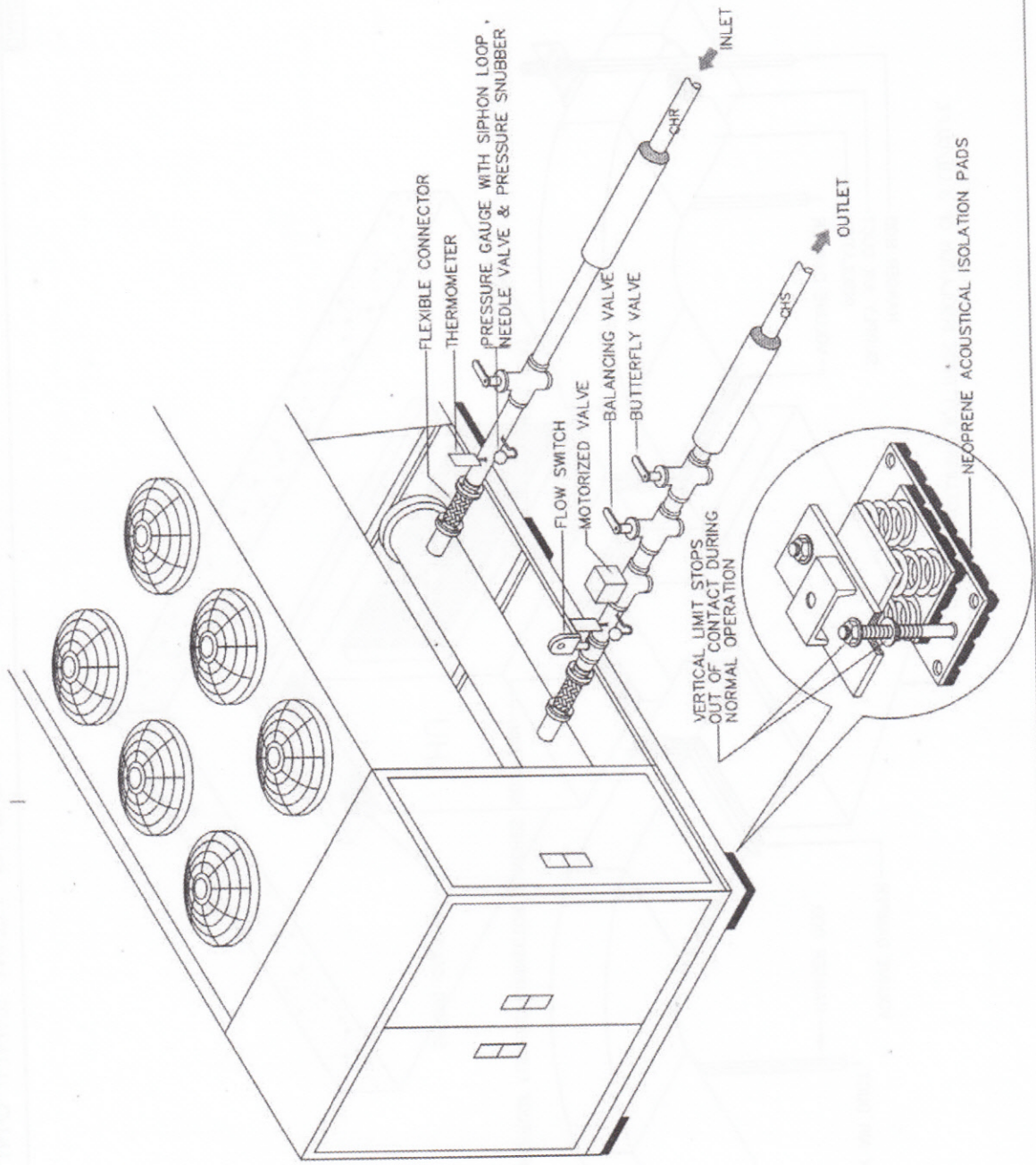
EVAPORATOR ABOVE CONDENSING UNIT



DAH05

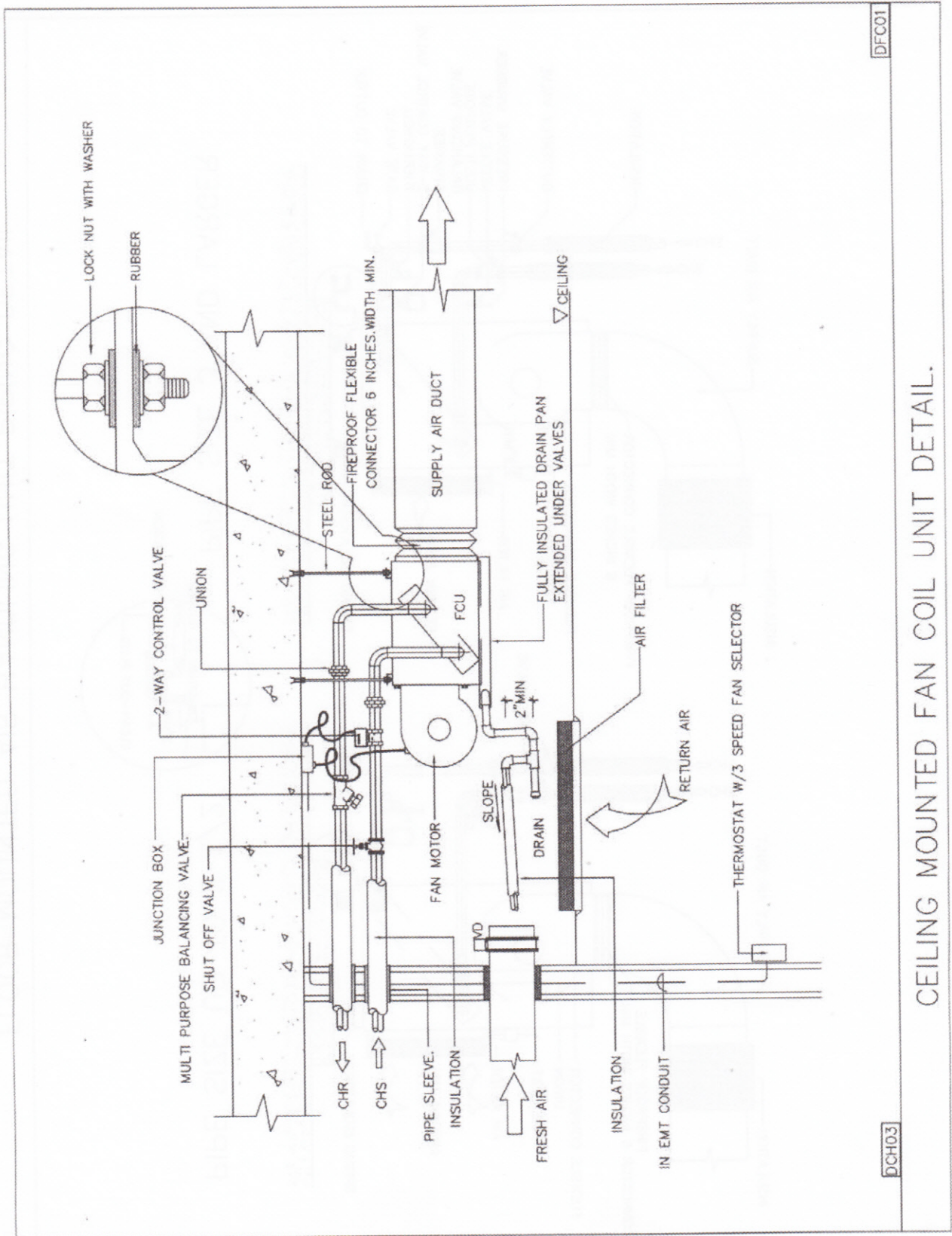
AIR HANDLING UNIT WITH RETURN AIR PLENUM INSTALLATION DETAIL





AIR COOLED CHILLER PIPING DETAIL.

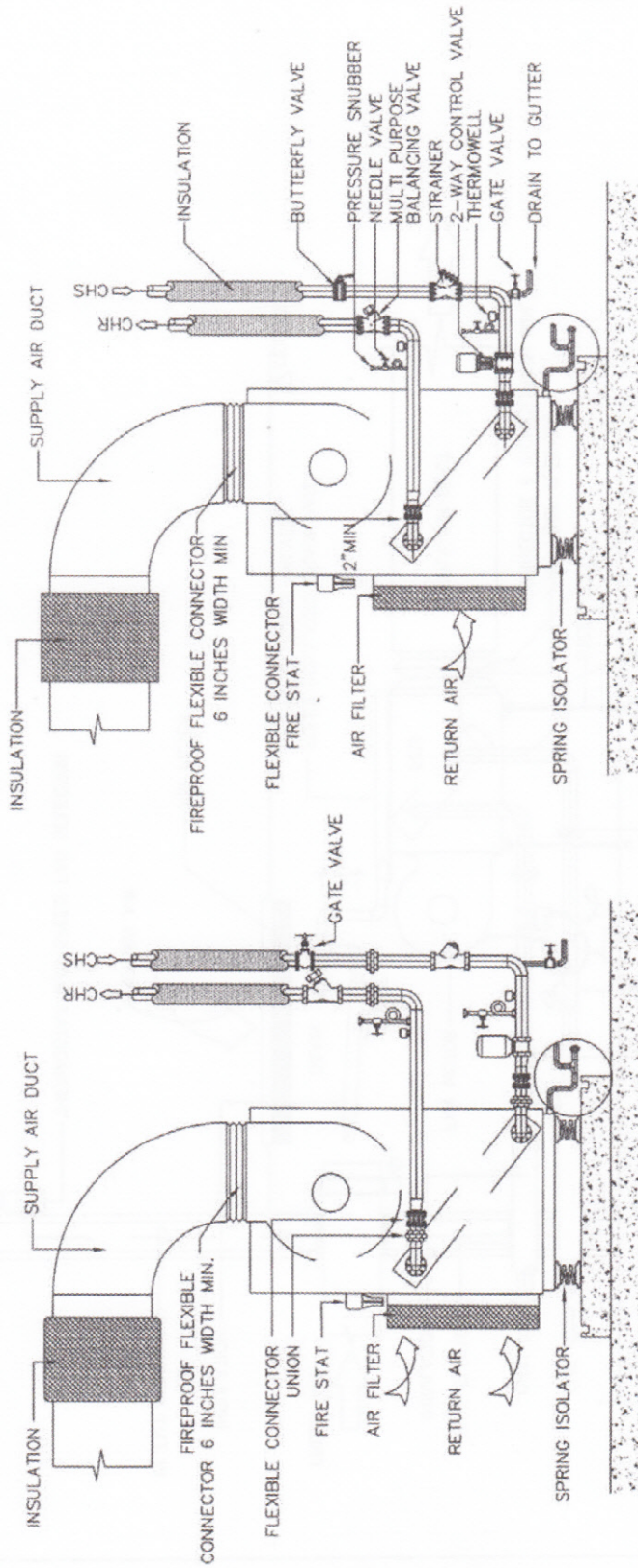




DFC01

DCH03

CEILING MOUNTED FAN COIL UNIT DETAIL.



PIPE SIZE UP TO 2 1/2"

PIPE SIZE 3" AND LARGER

FLOOR MOUNTED AIR HANDLING UNIT PIPING DETAIL